

**+ schaerer**

Coffee comes to life

[www.schaererusa.com](http://www.schaererusa.com)

# Schaerer Coffee Art 1X7 FS



# Coffee Art 1x7 FS

## Features and Benefits



Finesteam  
Technology



PEEK  
Material



Consistent  
Shot Delivery



Push-Button  
Operation

### Operational Advantages

- Steam wand with finesteam air injection and auto shut-off guarantees consistent milk texture and temperature while allowing users the freedom to multitask.
- Revolutionary PEEK steam wand material dramatically lowers the wand's surface temperature. Milk residue easily wipes clean, even later on after steaming. The PEEK steam wand is also much safer to touch right after steaming.
- Push-button operation allows even a novice to make great cappuccinos or lattes.
- Reminders can be programmed for maintenance activities such as cleaning and water softener changes, increasing operational life and reducing maintenance costs.
- Dual bean hoppers with dedicated grinders for multiple bean types.
- Espresso cleaning cycle takes only 5 minutes.
- Aesthetic design for high visibility concepts.

### Capacity

- Steams 32oz of milk in 1 minute
- 70-80 cappuccinos/lattes per hour (16oz)

### Programming Flexibility

- 12 programmable selections
- Grind, tamp and brew settings are programmable for each espresso selection
- Temperature and texture settings (cappuccino & latte) are programmable for each steaming selection
- Technical diagnostics menu for authorized service vendors

### Specifications

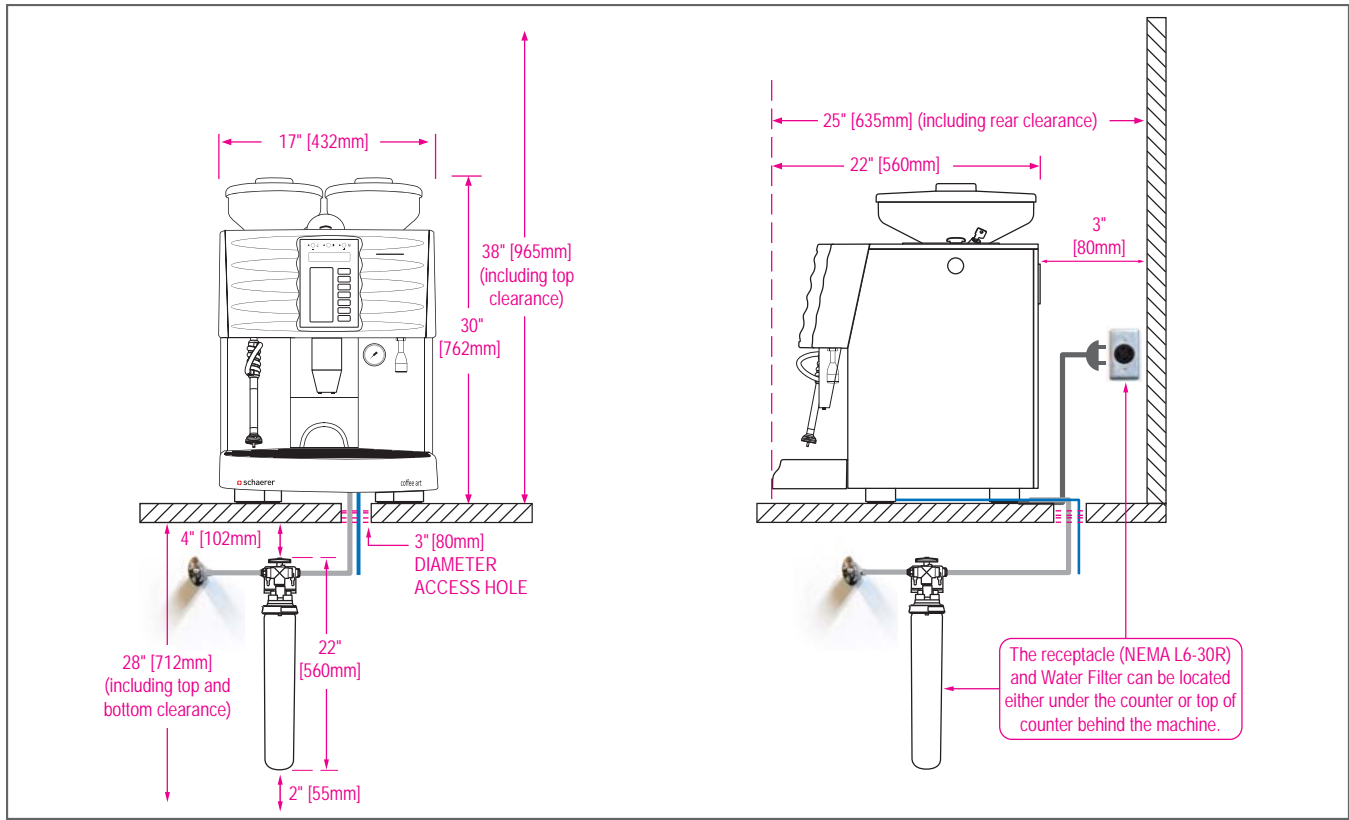
- 208V, 30 Amperes
- NEMA L6-30R Receptacle
- 17" (W) x 22" (D) x 28" (H)
- 6kW Steam Boiler
- 3kW Water Boiler

- Performance capacity indicative in nature



ISO 9001

# Coffee Art 1x7 FS Utility Specifications



## POWER, WATER SUPPLY, AND ACCESS REQUIREMENTS

	<ul style="list-style-type: none"> <li>• Receptacle type: NEMA L6-30R</li> <li>• 3 Prong twist-lock</li> <li>• Breaker panel: 30 Amp dedicated 220V single phase circuit</li> <li>• Actual maximum load: 24 Amps</li> </ul>
	<ul style="list-style-type: none"> <li>• Access hole with collar (no sharp edges)</li> <li>• Located centrally under machine for water and drain hose</li> <li>• Diameter: Minimum 3"/80mm</li> </ul>
	<ul style="list-style-type: none"> <li>• Water shut-off valve with 3/8" compression fitting</li> <li>• Back flow preventer in accordance with local requirements</li> </ul>
	<ul style="list-style-type: none"> <li>• Drain pipe to floor drain</li> <li>• Copper or PVC in accordance with local health codes and regulations</li> <li>• Diameter: 1.5"/38mm or larger</li> </ul>



The receptacle, water shut-off valve and drain pipe must be within 3 feet (36"/915mm) of the center of the location (footprint) of the machine.

Ideal under counter space for softener: 30"/765mm (minimum requirement: 26"/660mm).

**Notes:** Access hole is only required if any of the utility hook-ups are located under the counter.